



X-MART - deluxe automatic



- *Deluxe low profile axial fans with Automatic Shutter*
- *Stainless steel or white*
- *18 models*
- *IPX4 - Splashproof*
- *3 sizes for toilets, shower-rooms, bathrooms, utility rooms and kitchens*
- *For walls, ceilings or windows (with window kit)*
- *Standard, Timer and Humidity Control*
- *Exceeds Building Regulations requirements (including new Document F)*

GENERAL

- axial fans to exhaust air and fumes directly outside or through short lengths of ducting
- new, technically innovative, to complement modern decor
- unique opening front shutter - stops back draught when closed
- indicator light to show when operating
- front easily removed (no screws) for cleaning
- quick fit installation system for walls
- easy plasterboard ceiling installation with (optional) Ceiling Ring
- window installation requires window kit
- protection against backdraughts
- quiet operation
- adjustable timer - 3-15 minutes
- dynamic humidistat with night-time set back and anti-hunting device
- **IPX4 - Splashproof** - can safely be installed in Zones I and II

SPECIFICATION

- casings from shockproof and heat resistant plastics
- double insulated motors of shaded pole type mounted on self-lubricating, sealed ball bearings for long life
- motors fitted with thermal safety cut-out
- maximum ambient temperature - 40°C

COMPLY WITH

- EN60335-2-80
- EC Low Voltage Directive 73/23-93/68
- EC Directive EMC89/336
- CE marked

RANGE

White

- **XM 10A, 12A, 15A** - automatic shutter
- **XM 10AT, 12AT, 15AT** - automatic shutter and overrun timer
- **XM 10AH, 12AH, 15AH** - automatic shutter, humidity control and overrun timer

Stainless Steel

- **XM 10ASS, 12ASS, 15ASS** - automatic shutter
- **XM 10ATSS, 12ATSS, 15ATSS** - automatic shutter and overrun timer
- **XM 10AHSS, 12AHSS, 15AHSS** - automatic shutter, humidity control and overrun timer



Unique opening front shutter on automatic fans

Front easily removed for cleaning - no screws



Quick fix wall installation (no screws)

TYPICAL SPECIFICATION

Supply and install an XM12AHSS axial fan with a stainless steel front cover as supplied by Vectaire Ltd, Lincoln Road, Cressex Business Park, High Wycombe, Bucks, HP12 3RH.

The fan is to be suitable for installation either into a ceiling, wall or window (with the appropriate accessories), and be complete with an integral, adjustable, dynamic humidistat, an integral adjustable timer and a unique opening front cover. There should be a neon on the front of the fan to indicate when it is operating.

The fan casing should be made of shockproof and heat resistant plastic, contain a motor with sealed, self-lubricating bearings, and be protected with a thermal cut-out.

The fan should be double insulated and be suitable for installation into Zones I and II.

The fan is to be CE marked and comply with current EC Low Voltage Directive EMC89/336 and with BSEN60529. The fan should comply with Building Regulations requirements for installation into a utility room.



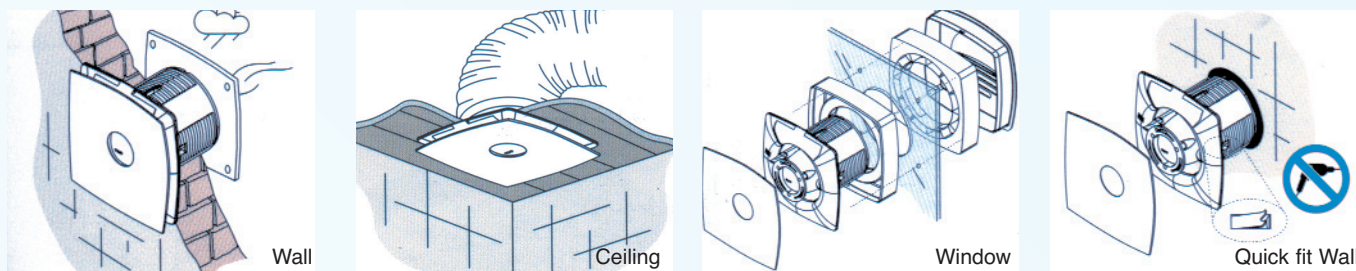
Tel: +44(0)1494 522333
Fax: +44(0)1494 522337

Vectaire Ltd
Lincoln Road, Cressex Business Park
High Wycombe, Buckinghamshire, HP12 3RH

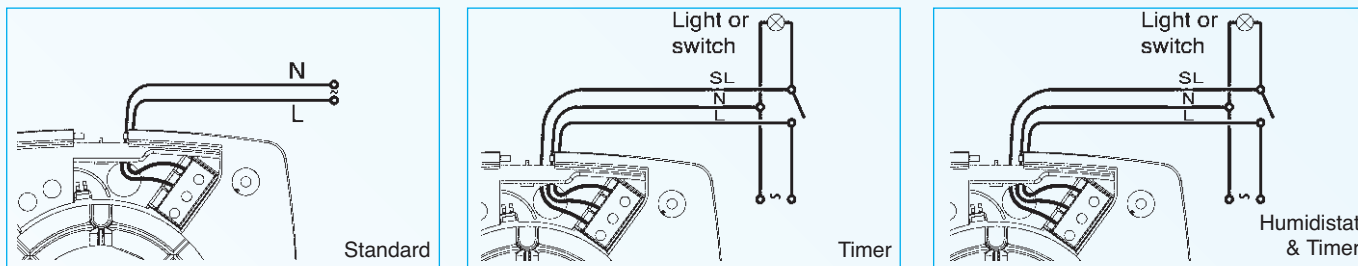
Email: sales@vectaire.co.uk
Web: www.vectaire.co.uk

TECHNICAL CHARACTERISTICS

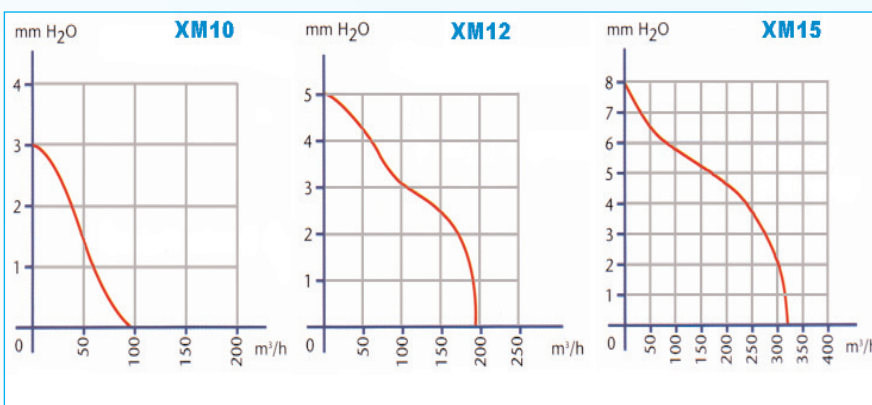
INSTALLATIONS



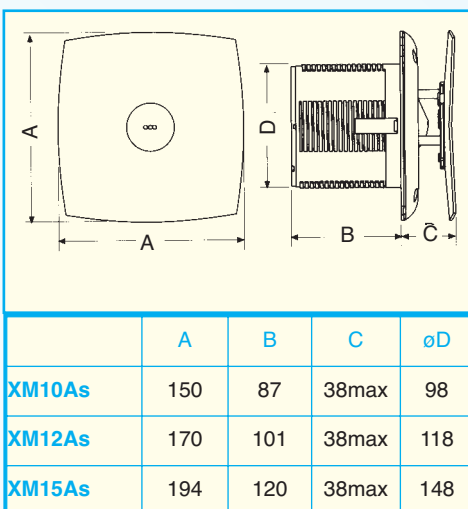
WIRING DIAGRAMS



PRESSURE CURVE



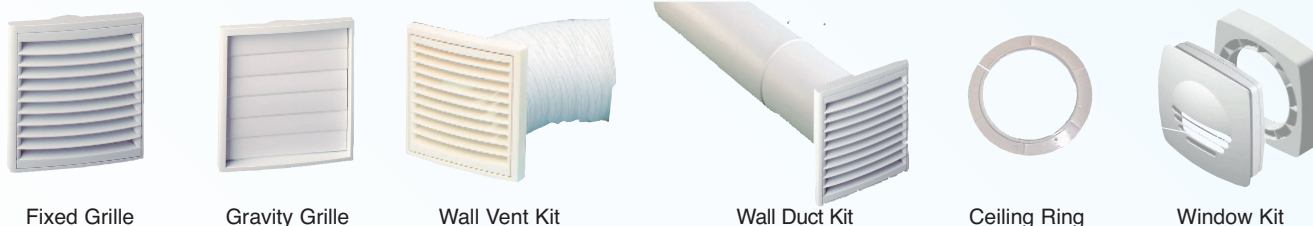
DIMENSIONS



TECHNICAL DATA

Model	m ³ /hr	litres/sec	Max mmH ₂ O	Max Pa	Volts	Hz	Watts	dbA	Hole dia mm	IPX4	Weight kg
X-MART 10As	98	27	3	29	230	50	15	38	100	yes	0.64
X-MART 12As	190	53	5	49	230	50	20	40	120	yes	0.85
X-MART 15As	320	89	8	78	230	50	25	42	150	yes	1.02

ACCESSORIES



FULL RANGE OF ACCESSORIES AVAILABLE INCLUDING FLEXIBLE AND FLAT DUCTING