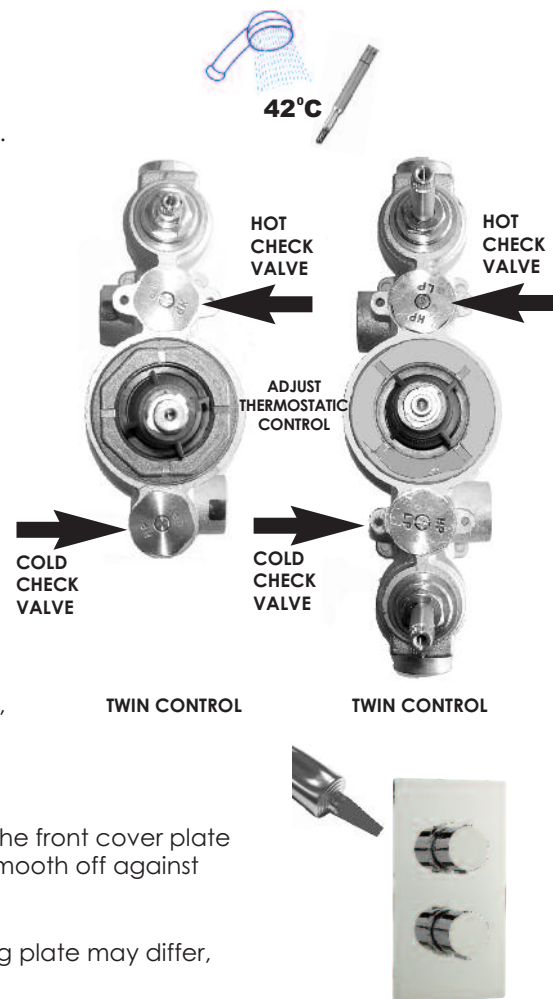


## INSTALLATION CONT.

6. Connect the water outlet to the valve primary outlet connection if applicable. (plumbing configuration overleaf.)
7. Connect the secondary outlet to the auxiliary connection if applicable. (see plumbing configuration overleaf.)
8. Turn on the water supply and test all pipe work.
9. Remove Hot and Cold check valves, flush out the installation and re-fit. Re-check pipe work and valve (see opposite)
10. Re-fit the retaining sleeves.
11. The thermostat is factory set. To ensure correct operation, check the temperature of the water when running. Set temperature at the recommended 42°C or as required. To change the temperature; turn the control spindle anti-clockwise for hotter, clockwise for colder. (see below).



## FINISHING

12. Apply a small bead of silicone behind the front cover plate and fit over the sleeves into position. Smooth off against the wall finish.
13. Fit the handles and secure.
14. Shower control handles and concealing plate may differ, depending on model chosen.



# THERMOSTATIC CONCEALED SHOWER VALVES



Handles & Concealing Plate may vary, depending on model chosen.

## TROUBLE-SHOOTING

PROBLEM	SOLUTION
After installation, shower only runs HOT or COLD	Hot & Cold supplies are plumbed the wrong way round. Remove the thermostatic cartridge, undo the 52mm AF clamp nut and pull the cartridge out (using the temperature control knob to aid removal). Re-install it with the locating lug pointing away from the inlets
Shower will not run hot enough when first installed	Maximum temperature needs adjusting. See temperature setting - (see 11 above).
Cold water tracking through the valve into the hot water system	Check and clean the check valve cartridges and filters, located under the check valves.

CUSTOMER CARE HELP LINE: 01282 446789

**DCB & TCB SERIES**  
**Twin & Triple control showers**

**INSTALLATION GUIDE**

## IMPORTANT INFORMATION

This guide provides instructions for the installation of Twin & Triple Control Thermostatic Shower Valves. It is beyond the scope of this guide to provide detailed instructions for the installation of auxiliary products which may be attached to these valves. Please consult your installer and any guides which are provided with the other products.

Most problems associated with the operation of thermostatic shower valves are caused by debris in the new pipe work getting into the thermostat.

These problems are easily avoided by thoroughly flushing the pipe work **BEFORE** the shower valve is fitted.

Twin and Triple Control Concealed Shower Valves are suitable for use with all water supply systems up to a **maximum of 5 bar**. Pressures above this limit will require the fitting of pressure reducing valves.

This product and any products fitted with it, must be installed in such a way as not to cause water damage during use.

## CLEANING

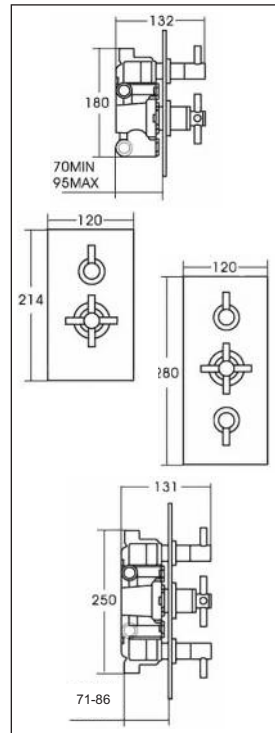
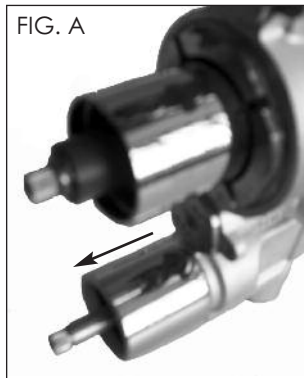
This product is made using high quality chrome plating, this should be maintained using a clean damp cloth, no abrasive agents or materials can be used, use of these agents or materials will invalidate your guarantee.



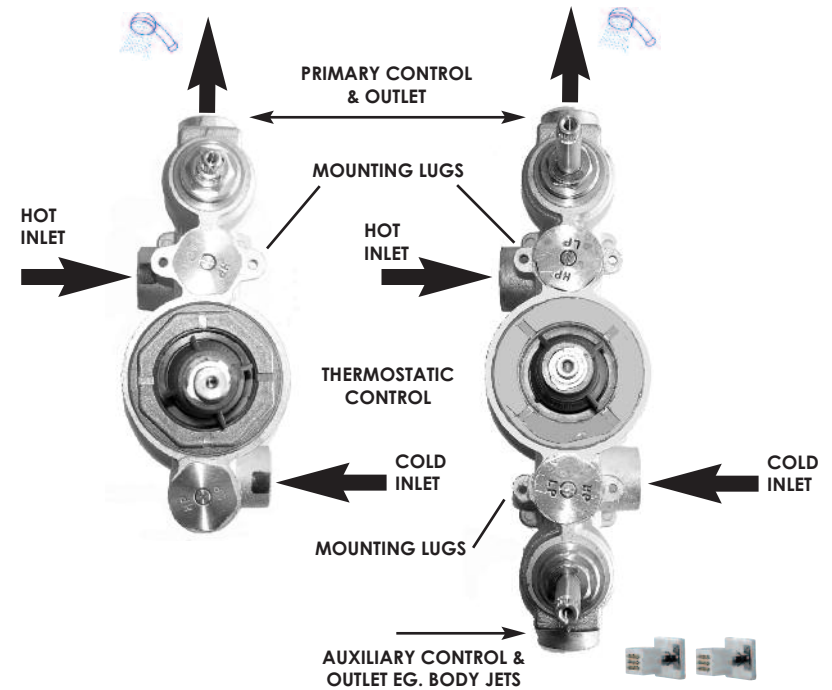
PRODUCTS ARE APPROVED BY WRAS AND TMV2 SCHEMES.

## PREPARATION

1. Remove the retaining sleeves (fig.A). The thermostat sleeve pulls off, the other(s) unscrew. Put all the parts in a safe place.



## PLUMBING CONFIGURATION



## INSTALLATION

- Determine the mounting position for the shower valve.
- Mount the shower valve into the prepared recess in the wall using the mounting lugs cast onto the back of the body (see opposite)
- Ensure the valve is mounted to the correct depth from the finished wall surface. Make sure there is adequate clearance from the front to access all components and that the cover plate will cover the finished recess (see opposite).
- When the valve is securely mounted into the wall, make the plumbing connections using a proprietary thread sealant.

