



"LuxVent Plus" - shower fan kit with light



- centrifugal fan kits with light
- with choice of white and chrome 12volt light fitting
- 2 models - with and without timer
- for shower-rooms, toilets, or bathrooms
- for ceiling installation
- complete kit
- exceeds Building Regulations requirements

GENERAL

- centrifugal in-line ventilation kit designed to extract safely over longer distances from toilets, shower cubicles and bath rooms
- complete kit contains:
 - ▶ centrifugal in-line fan with mounting bracket
 - ▶ gasket
 - ▶ 90° bend
 - ▶ 6m flexible ducting
 - ▶ fixing screws, plugs and cable ties
 - ▶ brown grille for outside wall
 - ▶ low voltage ceiling light with white and chrome bezel included
 - ▶ 12v transformer for light installation
- timer adjustable between 3 and 15 minutes
- easy to install and maintain - fan can be accessed without removing ducting
- high performance extract capacities and pressures
- low noise levels
- suitable for continuous running
- fan is **IPX4 - Splashproof**
- ceiling light is SELV low voltage - **IPX7** - for additional safety when installing in Zone I
- ceiling light fitted with 35w sealed dichroic lamp

SPECIFICATION

- fan made of shock proof and heat resistant plastics
- fan with double insulated motor mounted on self-lubricating, sealed ball bearings for long life
- fan motor windings protected to Class B
- fan motor incorporates thermal cut-out
- maximum ambient temperature - 40°C

COMPLY WITH

- EN60335-2-80
- EC Low Voltage Directive 73/2393/68
- EC Directive EMC89/336
- CE marked

TYPICAL SPECIFICATION

Supply and install a Vectaire LuxVentT Plus in-line centrifugal ventilation kit with light and over-run timer as supplied by Vectaire Ltd, Lincoln Road, Cressex Business Park, High Wycombe, Bucks, HP12 3RH.

The kit should include a centrifugal in-line fan with mounting bracket, 6m of flexible ducting a rubber gasket, 90° bend, fixing screws, plugs and cables, brown outside wall grille, 12v transformer and a ceiling light with a white or chrome bezel. The timer should be adjustable between 3 and 15 minutes.

The fan should be made of shockproof and heat resistant plastic, contain a motor with sealed, self-lubricating bearings, and be protected with a thermal cut-out. It should be possible to access the fan for maintenance without removing the ducting.

The fan should be double insulated, be splashproof to IPX4 and the light should be SELV low voltage making it suitable for installation into Zone I. It should comply with all current IEE, EC and Building Regulations requirements.

RANGE

- **LuxVent Plus**
- standard model
- **LuxVentT Plus**
- as above with timer



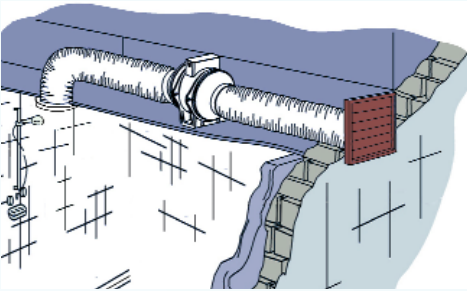
Tel: +44(0)1494 522333
Fax: +44(0)1494 522337

Vectaire Ltd
Lincoln Road, Cressex Business Park
High Wycombe, Buckinghamshire, HP12 3RH

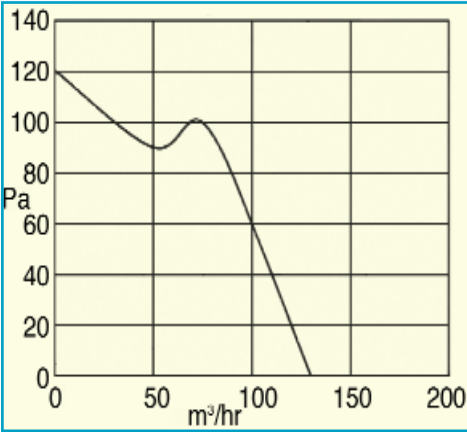
Email: sales@vectaire.co.uk
Web: www.vectaire.co.uk

TECHNICAL CHARACTERISTICS

INSTALLATION

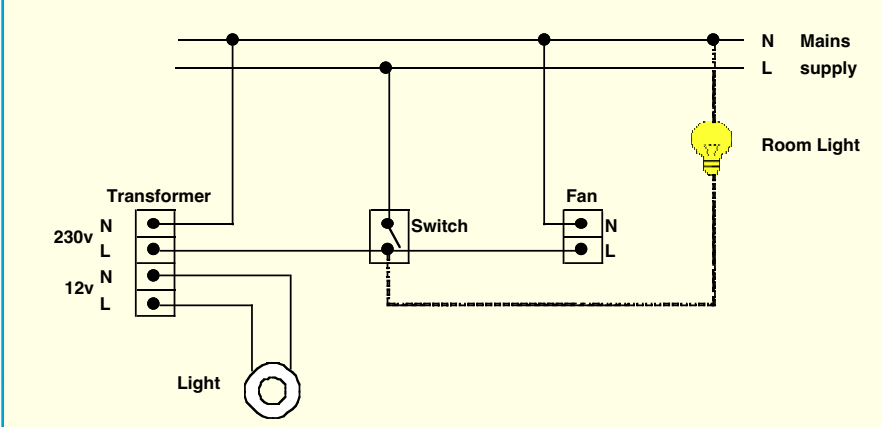


PRESSURE CURVE

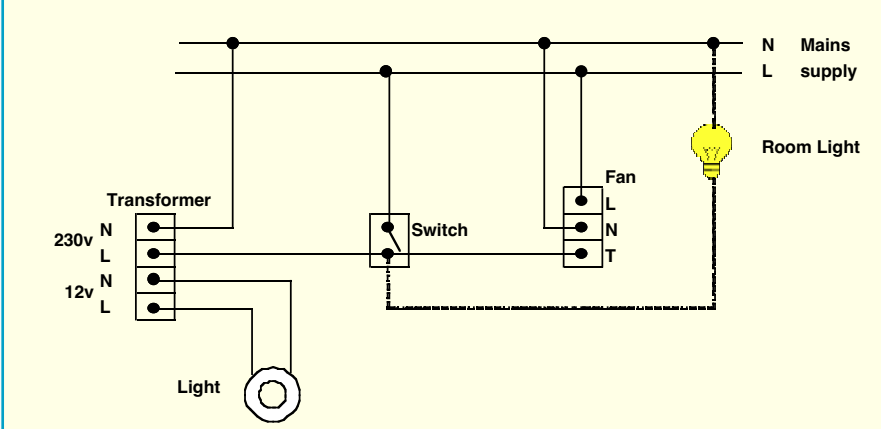


WIRING DIAGRAMS

A: LuxVent Plus - fans without overrun timer



B: LuxVentT Plus - fans with overrun timer



Note : The fan/light can be operated from the room light switch or from an independent switch.

DIMENSIONS

| | | | | | | | |
|--------------|----------|-----|-----|------|------|-----|----|
| | ϕA | B | C | D | E | F | G |
| | mm | mm | mm | mm | mm | mm | mm |
| LuxVent Plus | 98 | 177 | 238 | 99.5 | 89.2 | 100 | 20 |

| | | |
|--|-----|----|
| | A | B |
| | mm | mm |
| | 209 | 13 |

| | | | |
|--|-----|----|----|
| | A | B | C |
| | mm | mm | mm |
| | 140 | 98 | 74 |

TECHNICAL DATA

| Model | m ³ /hr | litres/sec | Max mm H ₂ O | Max Pa | Volts | Hz | Max Amps | Watts | dbA | Hole dia mm | Weight kg |
|---------|--------------------|------------|-------------------------|--------|-------|----|----------|-------|-----|-------------|-----------|
| LuxVent | 130 | 36 | 14 | 137 | 230 | 50 | 0.16 | 25 | 24 | 100 | 1.2 |