

HANDLE
DESIGN MAY
VARY DEPENDING
ON MODEL CHOSEN

Exposed Twin/Triple Thermostatic Shower Valve

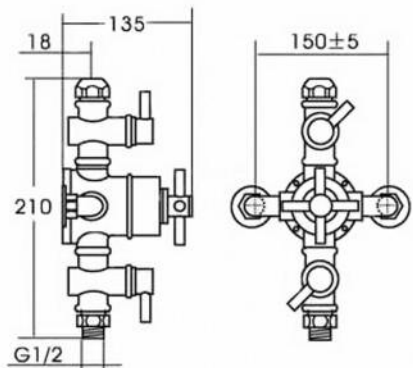
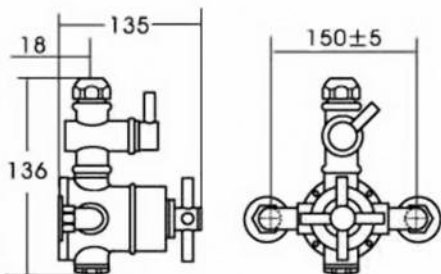


Please read these instructions in full before commencing any installation. After the work is completed, pass these instructions on to the end user for their future reference.

We recommend that before tiling or finishing, you ensure that the valve is operating correctly and that there are no leaks. Please note that in order to service these valves, you must allow adequate access from the front in order to remove the cartridge locking ring or removing the check valves.

Most problems with any thermostatic valve are caused by debris from new pipework getting into the thermostat when it is first installed. It is important to flush out all new pipework before commissioning.

This thermostatic valve is suitable for use with all water systems up to a maximum operating pressure of 5.0 bar (beyond which, we recommend pressure reducing valves be fitted).



DESCRIPTION

The valve is a thermostatically controlled shower valve. Temperature is controlled by a wax cartridge thermostat, which will maintain a constant temperature and compensates automatically for fluctuations in HOT and COLD inlet pressures. Should either HOT or COLD supplies fail, the valve will shut down almost instantly to avoid any risk of scalding. A simple quarter turn ceramic disc valve controls flow.

WATER SYSTEMS

The valve is suitable, without modification, for all types of installation, including pumped gravity systems, mains pressure and combination boilers.

INSTALLATION

The valve must be installed with the HOT water coming in on the left and the COLD on the right, when the outlet is positioned on top. The inlet elbows are fitted with 15mm olives and compression nuts. It is important that all the pipe work should be thoroughly flushed through before connecting the valve.

TEMPERATURE SETTING AND ADJUSTMENT:

AFTER INSTALLATION, THE VALVE MAY NEED THE MAXIMUM TEMPERATURE RE-SETTING.

Unscrew the temperature knob cover. Pull off the temperature knob. Rotate the thermostat spindle (clockwise for cold and counter-clockwise for hot) until the desired showering temperature is reached (normally about 42C). Then line up the stop on the inside of the knob to the right hand side of the moulded stop on the thermostat. Replace cover.

MAINTENANCE

The valve is extremely easy to maintain. The temperature and flow are controlled by separate one-piece cartridges, which are easily removed from the front of the valve for cleaning or replacement.

TROUBLE SHOOTING

After having produced thousands of Thermostatic Valves, we are able to pinpoint the following problems and solutions, which have occurred. These will cover 99% of cases:

- Q. After installation, shower only runs HOT or COLD and will not mix
- A. Hot and cold supplies are plumbed the wrong way round. Remove the thermostat and re-fit with the locating peg pointing downwards.

- Q. Shower will not run hot enough when first installed.
- A. Maximum temperature setting needs adjusting as above.

- Q. Cold water tracking through the valve into the hot water system
- A. This is prevented in the valve by Check Valves in the inlets. Check

MAINTENANCE & SERVICING

The exposed thermostatic valve should give many years of trouble-free service, but in the event of failure, servicing is straightforward.

CHECK VALVES

The check valves stop cross flow between the Hot and Cold supplies and are fitted inside the inlets.

THERMOSTATIC CARTRIDGE

To remove the thermostatic cartridge, unscrew the temperature knob cover and pull off the temperature knob. Gently pull the plated retaining nut cover and undo the 52mm AF Clamp nut and pull the cartridge out. Be sure to re-fit the cartridge with its locating lug pointing downwards.

FLOW CONTROL CARTRIDGE

The flow control cartridge uses ceramic discs which will normally last indefinitely, unless debris manages to get between the ceramic discs. To remove, use a suitable tool to unscrew the cartridge (17mm A.F.).