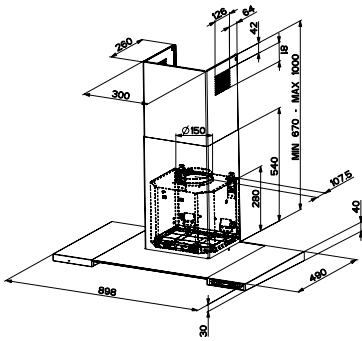


HOODS SPECIFICATIONS

New Axis

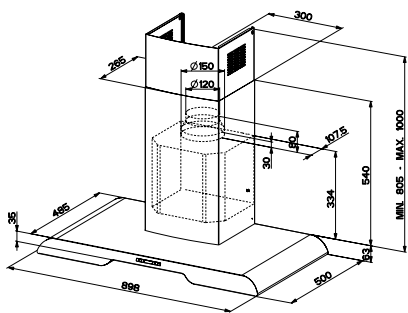


Speed	Flow Rate IEC 61591 [M ³ /H]		Pressure Maximum [Pa]	Power Input [W]	Sound Power IEC 60704-2-13 [dB(A)]
	1	2			
I	220/210		140	90	51
II	295/280		200	115	56
III	380/360		260	145	62
Int	500/470		280	190	66

1 (200 m³/h, 5 Pa) Resistance curve according to IEC 61591
 2 (200 m³/h, 15 Pa) Resistance curve according to IEC 61591

Model	FAX 906 XS
Hood type	Wall
Width	90cm
Control type	Electronic
Finish	Stainless Steel/Glass
Extraction speed setting	3 + int.
Automatic cut-off timer	■
Continuous 24 hour ventilation	
Digital Display	■
Filtering function	■
Motor	HIP
Filter type	B
Perimetric extraction	
Easy fit	■
Remote control	
Filter saturation indicator	
Illumination	Halogen 2 x 20W
Comfort light	
Grease filter	Aluminium cassette
Outlet tube diameter	150mm (120mm adaptor supplied)
Price (Ex. VAT)	£447.58

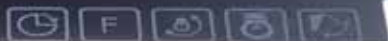
New Opera



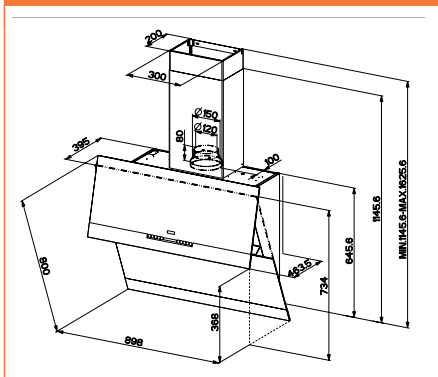
Speed	Flow Rate IEC 61591 [M ³ /H]		Pressure Maximum [Pa]	Power Input [W]	Sound Power IEC 60704-2-13 [dB(A)]
	1	2			
I	270/260		360	135	47
II	430/410		450	170	55
III	570/520		480	215	62
Int	670/610		500	250	66

1 (200 m³/h, 5 Pa) Resistance curve according to IEC 61591
 2 (200 m³/h, 15 Pa) Resistance curve according to IEC 61591

Model	FOP 906 XS
Hood type	Wall
Width	90cm
Control type	Electronic
Finish	Stainless Steel
Extraction speed setting	3 + int.
Automatic cut-off timer	■
Continuous 24 hour ventilation	
Digital Display	■
Filtering function	■
Motor	HIP
Filter type	B
Perimetric extraction	
Easy fit	■
Remote control	
Filter saturation indicator	
Illumination	Halogen 3 x 20W
Comfort light	
Grease filter	Stainless Steel
Outlet tube diameter	150mm (120mm adaptor supplied)
Price (Ex. VAT)	£488.46



New Swing

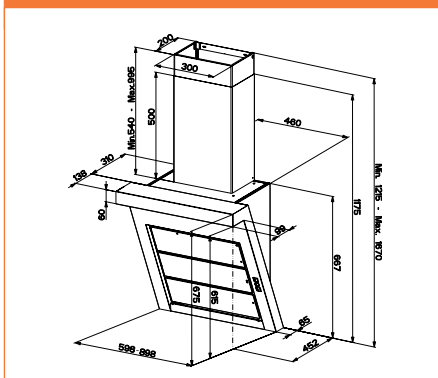


Speed	Flow Rate IEC 61591 [M ³ /h]	Pressure Maximum [Pa]	Power Input [W]	Sound Power IEC 60704-2-13 [dB(A)]
I	190/180	100	35	35
III	330/310	280	70	46
V	460/430	360	110	52
VIII	700/640	420	220	61
Int	850/740	440	330	66

1 (200 m³/h, 5 Pa) Resistance curve according to IEC 61591
 2 (200 m³/h, 15 Pa) Resistance curve according to IEC 61591

Model	FSW 908 TC BK XS	FSW 908 TC WH XS
Hood type	Wall	Wall
Width	90cm	90cm
Control type	Touch control	Touch control
Finish	Stainless Steel/Black Glass	Stainless Steel/White Glass
Extraction speed setting	8 + int.	8 + int.
Automatic cut-off timer	■	■
Continuous 24 hour ventilation	■	■
Digital Display	■	■
Filtering function	■	■
Motor	PRO	PRO
Filter type	A	A
Perimetric extraction		
Easy fit		
Remote control	Optional	Optional
Filter saturation indicator	■	■
Illumination	Halogen 2 x 20W	Halogen 2 x 20W
Comfort light	■	■
Grease filter	Aluminium cassette	Aluminium cassette
Outlet tube diameter	150mm (120mm adaptor supplied)	150mm (120mm adaptor supplied)
Price (Ex. VAT)	£1404.56	£1360.36

New Active



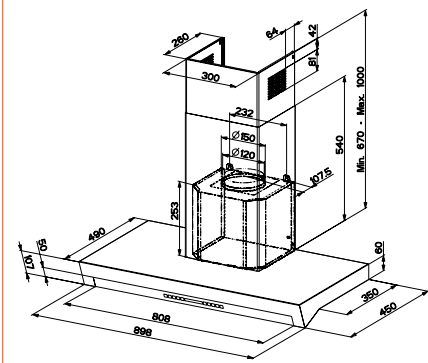
Speed	Flow Rate IEC 61591 [M ³ /h]	Pressure Maximum [Pa]	Power Input [W]	Sound Power IEC 60704-2-13 [dB(A)]
I	270/260	290	75	45
II	360/340	360	155	51
III	570/510	450	215	60
IV	730/660	480	300	65
Int	820/720	500	340	67

1 (200 m³/h, 5 Pa) Resistance curve according to IEC 61591
 2 (200 m³/h, 15 Pa) Resistance curve according to IEC 61591

Model	FAK 607 XS	FAK 907 XS
Hood type	Wall	Wall
Width	60cm	90cm
Control type	Electronic	Electronic
Finish	Stainless Steel	Stainless Steel
Extraction speed setting	4 + int.	4 + int.
Automatic cut-off timer	■	■
Continuous 24 hour ventilation	■	■
Digital Display	■	■
Filtering function	■	■
Motor	Energy	Energy
Filter type	A	A
Perimetric extraction	■	■
Easy fit		
Remote control	Optional	Optional
Filter saturation indicator	■	■
Illumination	Halogen 2 x 20W	Halogen 3 x 20W + 2 x 20W
Comfort light	■	■
Grease filter	Aluminium cassette	Aluminium cassette
Outlet tube diameter	150mm (120mm adaptor supplied)	150mm (120mm adaptor supplied)
Price (Ex. VAT)	£740.16	£834.88



New Neptune

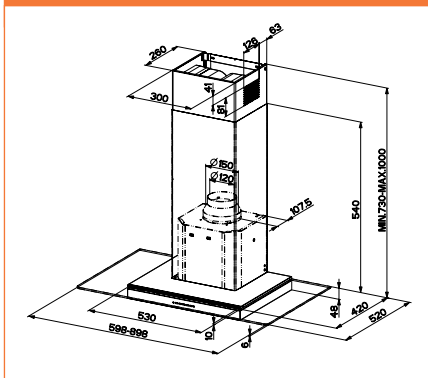


Speed	Flow Rate IEC 61591 [M ³ /H] 1 2	Pressure Maximum [Pa]	Power Input [W]	Sound Power IEC 60704-2-13 [dB(A)]
I	190/180	150	45	37
III	310/300	330	85	48
V	425/400	420	130	55
VIII	630/580	490	240	64
Int	740/660	500	340	69

1 (200 m³/h, 5 Pa) Resistance curve according to IEC 61591
 2 (200 m³/h, 15 Pa) Resistance curve according to IEC 61591

Model	FNE 908 TC XS
Hood type	Wall
Width	90cm
Control type	Touch control
Finish	Stainless Steel
Extraction speed setting	8 + int.
Automatic cut-off timer	■
Continuous 24 hour ventilation	■
Digital Display	■
Filtering function	■
Motor	Energy
Filter type	B
Perimetric extraction	■
Easy fit	■
Remote control	Optional
Filter saturation indicator	■
Illumination	Halogen 3 x 20W
Comfort light	■
Grease filter	Aluminium cassette
Outlet tube diameter	150mm (120mm adaptor supplied)
Price (Ex. VAT)	£695.98

New Luminaire



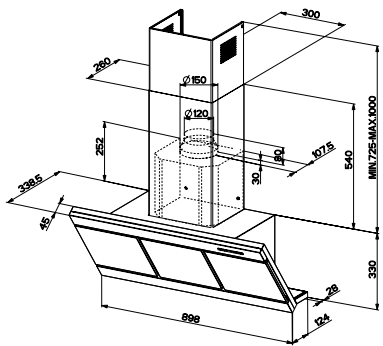
Speed	Flow Rate IEC 61591 [M ³ /H] 1 2	Pressure Maximum [Pa]	Power Input [W]	Sound Power IEC 60704-2-13 [dB(A)]
I	260/250	140	90	51
II	330/310	200	115	55
III	470/430	260	145	63
Int	600/520	280	190	67

1 (200 m³/h, 5 Pa) Resistance curve according to IEC 61591
 2 (200 m³/h, 15 Pa) Resistance curve according to IEC 61591

Model	FGL 6016 XS	FGL 9016 XS
Hood type	Wall	Wall
Width	60cm	90cm
Control type	Electronic	Electronic
Finish	Stainless Steel	Stainless Steel
Extraction speed setting	3 + int.	3 + int.
Automatic cut-off timer	■	■
Continuous 24 hour ventilation		
Digital Display	■	■
Filtering function	■	■
Motor	HIP	HIP
Filter type	B	B
Perimetric extraction		
Easy fit	■	■
Remote control		
Filter saturation indicator		
Illumination	Halogen 2 x 20W	Halogen 2 x 20W
Comfort light		
Grease filter	Stainless Steel	Stainless Steel
Outlet tube diameter	150mm (120mm adaptor supplied)	150mm (120mm adaptor supplied)
Price (Ex. VAT)	£523.38	£531.60

HOODS SPECIFICATIONS

Mythos

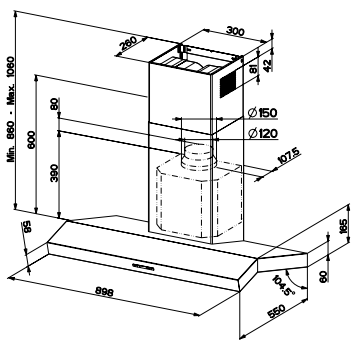


Speed	Flow Rate	Pressure Maximum [Pa]	Power Input [W]	Sound Power IEC 60704-2-13 [dB(A)]
	IEC 61591 [M ³ /H]			
	1	2		
I	260/250	220	70	46
II	435/400	320	150	54
III	530/500	350	190	59
IV	620/570	370	240	63
Int	770/690	420	330	68

1 (200 m³/h, 5 Pa) Resistance curve according to IEC 61591
2 (200 m³/h, 15 Pa) Resistance curve according to IEC 61591

Model	FMY 907 XS
Hood type	Wall
Width	90cm
Control type	Electronic
Finish	Stainless Steel
Extraction speed setting	4 + int.
Automatic cut-off timer	■
Continuous 24 hour ventilation	■
Digital Display	■
Filtering function	■
Motor	Pro
Filter type	B
Perimetric extraction	■
Easy fit	■
Remote control	Optional
Filter saturation indicator	■
Illumination	Halogen 3 x 20W
Comfort light	
Grease filter	Aluminium cassette
Outlet tube diameter	150mm (120mm adaptor supplied)
Price (Ex. VAT)	£746.63

Chef



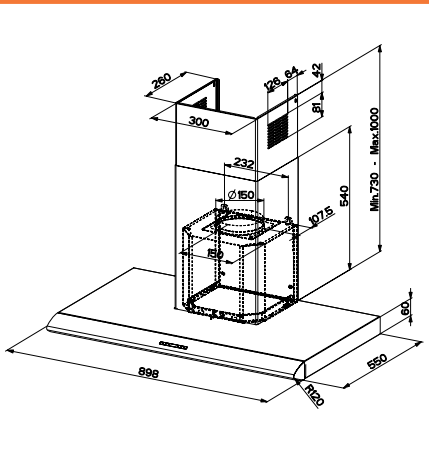
Speed	Flow Rate	Pressure Maximum [Pa]	Power Input [W]	Sound Power IEC 60704-2-13 [dB(A)]
	IEC 61591 [M ³ /H]			
	1	2		
I	270/260	360	135	47
II	430/410	450	170	54
III	570/520	480	215	61
Int	660/600	500	250	65

1 (200 m³/h, 5 Pa) Resistance curve according to IEC 61591
2 (200 m³/h, 15 Pa) Resistance curve according to IEC 61591

Model	FCH 906-P XS
Hood type	Wall
Width	90cm
Control type	Electronic
Finish	Stainless Steel
Extraction speed setting	3 + int.
Automatic cut-off timer	■
Continuous 24 hour ventilation	
Digital Display	■
Filtering function	■
Motor	ENERGY
Filter type	B
Perimetric extraction	■
Easy fit	■
Remote control	
Filter saturation indicator	
Illumination	Halogen 2 x 20W
Comfort light	
Grease filter	Aluminium cassette
Outlet tube diameter	150mm (120mm adaptor supplied)
Price (Ex. VAT)	£581.10



Admiral

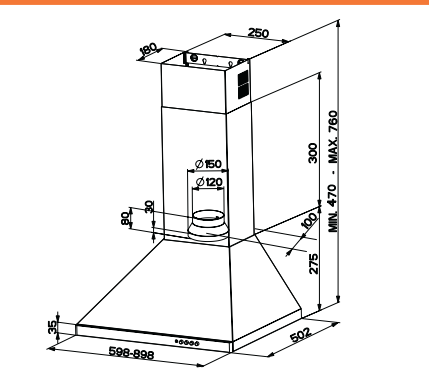


Speed	Flow Rate IEC 61591 [M ³ /H] 1 2	Pressure Maximum [Pa]	Power Input [W]	Sound Power IEC 60704-2-13 [dB(A)]
I	270/260	360	135	47
II	430/410	450	170	55
III	570/520	480	215	62
Int	700/630	500	250	66

1 (200 m³/h, 5 Pa) Resistance curve according to IEC 61591
 2 (200 m³/h, 15 Pa) Resistance curve according to IEC 61591

Model	FAD 906-P XS
Hood type	Wall
Width	90cm
Control type	Electronic
Finish	Stainless Steel
Extraction speed setting	3 + int.
Automatic cut-off timer	■
Continuous 24 hour ventilation	
Digital Display	■
Filtering function	■
Motor	ENERGY
Filter type	B
Perimetric extraction	
Easy fit	■
Remote control	
Filter saturation indicator	
Illumination	Halogen 3 x 20W
Comfort light	
Grease filter	Stainless Steel
Outlet tube diameter	150mm (120mm adaptor supplied)
Price (Ex. VAT)	£435.78

Decorative



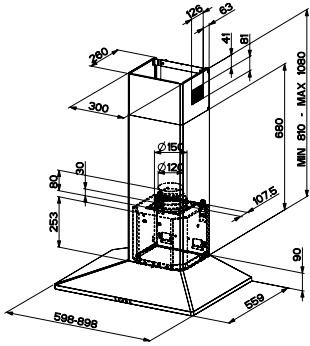
Speed	Flow Rate IEC 61591 [M ³ /H] 1 2	Pressure Maximum [Pa]	Power Input [W]	Sound Power IEC 60704-2-13 [dB(A)]
I	240/230	190	70	46
II	280/270	230	100	52
III	430/400	240	150	61

1 (200 m³/h, 5 Pa) Resistance curve according to IEC 61591
 2 (200 m³/h, 15 Pa) Resistance curve according to IEC 61591

Model	FDL 664 XS	FDL 764 XS	NEW FDL 964 XS
Hood type	Wall	Wall	Wall
Width	60cm	70cm	90cm
Control type	Push buttons	Push buttons	Push buttons
Finish	Stainless Steel	Stainless Steel	Stainless Steel
Extraction speed setting	3	3	3
Automatic cut-off timer			
Continuous 24 hour ventilation			
Digital Display			
Filtering function	■	■	■
Motor	K40	K40	K40
Filter type	A	A	A
Perimetric extraction			
Easy fit			
Remote control			
Filter saturation indicator			
Illumination	Incandescent 2 x 40W	Incandescent 2 x 40W	Incandescent 2 x 40W
Comfort light			
Grease filter	Aluminium cassette	Aluminium cassette	Aluminium cassette
Outlet tube diameter	150mm (120mm adaptor supplied)	150mm (120mm adaptor supplied)	150mm (120mm adaptor supplied)
Price (Ex. VAT)	£140.93	£171.45	£190.00

HOODS SPECIFICATIONS

Decorative Linear

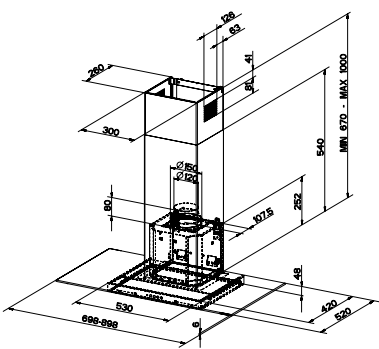


Speed	Flow Rate IEC 61591 [M ³ /H] 1 2	Pressure Maximum [Pa]	Power Input [W]	Sound Power IEC 60704-2-13 [dB(A)]
I	240/220	170	70	46
II	280/260	200	100	52
III	420/390	220	150	61

1 (200 m³/h, 5 Pa) Resistance curve according to IEC 61591
2 (200 m³/h, 15 Pa) Resistance curve according to IEC 61591

Model	FDL 604 XS
Hood type	Wall
Width	60cm
Control type	Push buttons
Finish	Stainless Steel
Extraction speed setting	3
Automatic cut-off timer	
Continuous 24 hour ventilation	
Digital Display	
Filtering function	■
Motor	K40
Filter type	B
Perimetric extraction	
Easy fit	■
Remote control	
Filter saturation indicator	
Illumination	Incandescent 2 x 40W
Comfort light	
Grease filter	Aluminium cassette
Outlet tube diameter	150mm (120mm adaptor supplied)
Price (Ex. VAT)	£342.93

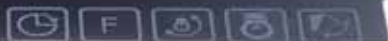
Glass Linear



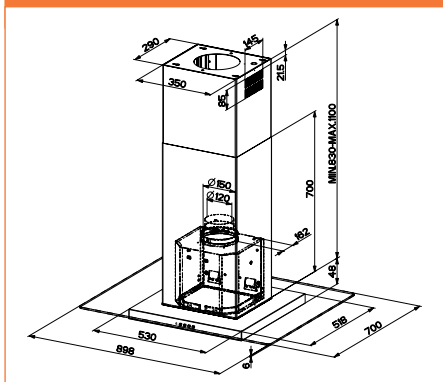
Speed	Flow Rate IEC 61591 [M ³ /H] 1 2	Pressure Maximum [Pa]	Power Input [W]	Sound Power IEC 60704-2-13 [dB(A)]
I	250/230	210	80	50
II	290/280	240	115	57
III	470/430	250	190	64

1 (200 m³/h, 5 Pa) Resistance curve according to IEC 61591
2 (200 m³/h, 15 Pa) Resistance curve according to IEC 61591

Model	FGL 704 XS	FGL 904 XS
Hood type	Wall	Wall
Width	70cm	90cm
Control type	Push buttons	Push buttons
Finish	Stainless Steel/Glass	Stainless Steel/Glass
Extraction speed setting	3	3
Automatic cut-off timer		
Continuous 24 hour ventilation		
Digital Display		
Filtering function	■	■
Motor	K50	K50
Filter type	B	B
Perimetric extraction		
Easy fit	■	■
Remote control		
Filter saturation indicator		
Illumination	Halogen 2 x 20W	Halogen 2 x 20W
Comfort light		
Grease filter	Stainless Steel	Stainless Steel
Outlet tube diameter	150mm (120mm adaptor supplied)	150mm (120mm adaptor supplied)
Price (Ex. VAT)	£338.28	£342.40



Glass Linear Island

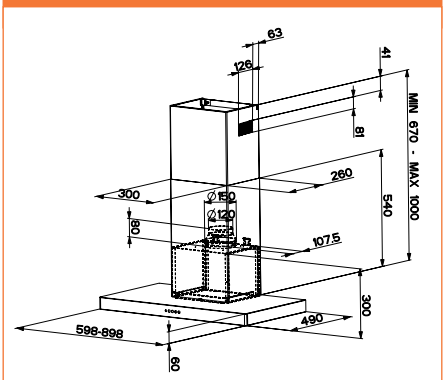


Speed	Flow Rate IEC 61591 [M ³ /H] 1 2	Pressure Maximum [Pa]	Power Input [W]	Sound Power IEC 60704-2-13 [dB(A)]
I	280/260	220	55	50
II	400/370	260	90	59
III	620/550	320	205	68

1 (200 m³/h, 5 Pa) Resistance curve according to IEC 61591
 2 (200 m³/h, 15 Pa) Resistance curve according to IEC 61591

Model	FGL 904 I XS
Hood type	Island
Width	90cm
Control type	Push buttons
Finish	Stainless Steel/Glass
Extraction speed setting	3
Automatic cut-off timer	
Continuous 24 hour ventilation	
Digital Display	
Filtering function	■
Motor	HIP
Filter type	B
Perimetric extraction	
Easy fit	
Remote control	
Filter saturation indicator	
Illumination	Halogen 4 x 20W
Comfort light	
Grease filter	Stainless Steel
Outlet tube diameter	150mm (120mm adaptor supplied)
Price (Ex. VAT)	£591.48

Decorative Flat



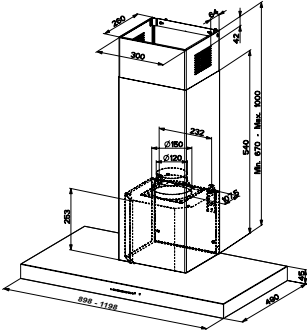
Speed	Flow Rate IEC 61591 [M ³ /H] 1 2	Pressure Maximum [Pa]	Power Input [W]	Sound Power IEC 60704-2-13 [dB(A)]
I	240/230	190	70	46
II	280/270	230	100	52
III	430/400	240	150	61

1 (200 m³/h, 5 Pa) Resistance curve according to IEC 61591
 2 (200 m³/h, 15 Pa) Resistance curve according to IEC 61591

Model	FDF 6046 XS	FDF 7044 XS
Hood type	Wall	Wall
Width	60cm	70cm
Control type	Push buttons	Push buttons
Finish	Stainless Steel	Stainless Steel
Extraction speed setting	3	3
Automatic cut-off timer		
Continuous 24 hour ventilation		
Digital Display		
Filtering function	■	■
Motor	K40	HIP
Filter type	B	B
Perimetric extraction		
Easy fit	■	■
Remote control		
Filter saturation indicator		
Illumination	Incandescent 2 x 40W	Halogen 2 x 20W
Comfort light		
Grease filter	Aluminium cassette	Stainless Steel
Outlet tube diameter	150mm (120mm adaptor supplied)	150mm (120mm adaptor supplied)
Price (Ex. VAT)	£245.43	£383.55

HOODS SPECIFICATIONS

Decorative Flat

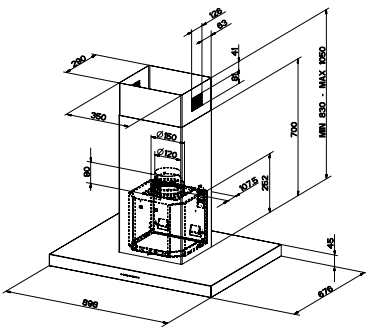


Speed	Flow Rate	Pressure Maximum [Pa]	Power Input [W]	Sound Power IEC 60704-2-13 [dB(A)]
	IEC 61591 [M ³ /H] 1 2			
I	240/230	190	70	46
II	280/270	230	100	52
III	430/400	240	150	61

1 (200 m³/h, 5 Pa) Resistance curve according to IEC 61591
 2 (200 m³/h, 15 Pa) Resistance curve according to IEC 61591

Model	NEW FDF 9044 XS	NEW FDF 12044 XS
Hood type	Wall	Wall
Width	90cm	120cm
Control type	Push buttons	Push buttons
Finish	Stainless Steel	Stainless Steel
Extraction speed setting	3	3
Automatic cut-off timer		
Continuous 24 hour ventilation		
Digital Display		
Filtering function	■	■
Motor	HIP	HIP
Filter type	B	B
Perimetric extraction		
Easy fit	■	■
Remote control		
Filter saturation indicator		
Illumination	Halogen 3 x 20W	Halogen 3 x 20W
Comfort light		
Grease filter	Stainless Steel	Stainless Steel
Outlet tube diameter	150mm (120mm adaptor supplied)	150mm (120mm adaptor supplied)
Price (Ex. VAT)	£419.56	£468.50

Decorative Flat Island



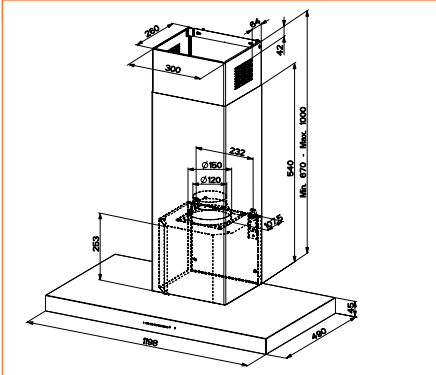
Speed	Flow Rate	Pressure Maximum [Pa]	Power Input [W]	Sound Power IEC 60704-2-13 [dB(A)]
	IEC 61591 [M ³ /H] 1 2			
I	280/260	220	55	50
II	400/370	260	90	59
III	620/550	320	205	68

1 (200 m³/h, 5 Pa) Resistance curve according to IEC 61591
 2 (200 m³/h, 15 Pa) Resistance curve according to IEC 61591

Model	NEW FDF 9044 I XS
Hood type	Island
Width	90cm
Control type	Push buttons
Finish	Stainless Steel
Extraction speed setting	3
Automatic cut-off timer	
Continuous 24 hour ventilation	
Digital Display	
Filtering function	■
Motor	HIP
Filter type	B
Perimetric extraction	
Easy fit	
Remote control	
Filter saturation indicator	
Illumination	Halogen 4 x 20W
Comfort light	
Grease filter	Stainless Steel
Outlet tube diameter	150mm (120mm adaptor supplied)
Price (Ex. VAT)	£709.52



Decorative Format

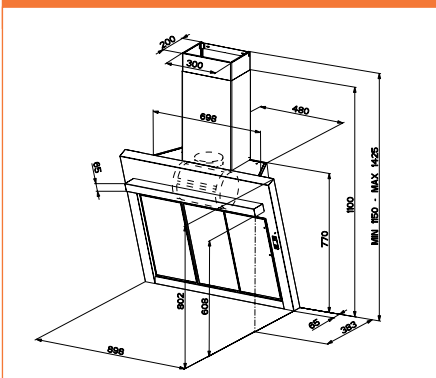


Speed	Flow Rate IEC 61591 [M ³ /H] 1 2	Pressure Maximum [Pa]	Power Input [W]	Sound Power IEC 60704-2-13 [dB(A)]
I	260/250	220	75	46
II	435/400	320	140	55
III	530/500	350	180	60
IV	620/570	370	230	64
Int	820/730	420	330	70

1 (200 m³/h, 5 Pa) Resistance curve according to IEC 61591
 2 (200 m³/h, 15 Pa) Resistance curve according to IEC 61591

Model	NEW FDF 12174 XS
Hood type	Wall
Width	120cm
Control type	Electronic
Finish	Stainless Steel
Extraction speed setting	4 + int.
Automatic cut-off timer	■
Continuous 24 hour ventilation	■
Digital Display	■
Filtering function	■
Motor	PRO
Filter type	B
Perimetric extraction	
Easy fit	■
Remote control	Optional
Filter saturation indicator	■
Illumination	Halogen 3 x 20W
Comfort light	
Grease filter	Stainless Steel
Outlet tube diameter	150mm (120mm adaptor supplied)
Price (Ex. VAT)	£589.32

Quadra



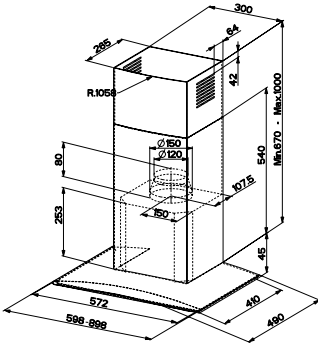
Speed	Flow Rate IEC 61591 [M ³ /H] 1 2	Pressure Maximum [Pa]	Power Input [W]	Sound Power IEC 60704-2-13 [dB(A)]
I	260/250	220	70	46
II	435/400	320	150	54
III	530/500	350	190	59
IV	620/570	370	240	62
Int	880/760	440	330	66

1 (200 m³/h, 5 Pa) Resistance curve according to IEC 61591
 2 (200 m³/h, 15 Pa) Resistance curve according to IEC 61591

Model	FQD 907 XS
Hood type	Wall
Width	90cm
Control type	Electronic
Finish	Stainless Steel
Extraction speed setting	4 + int.
Automatic cut-off timer	■
Continuous 24 hour ventilation	■
Digital Display	■
Filtering function	■
Motor	PRO
Filter type	A
Perimetric extraction	■
Easy fit	
Remote control	Optional
Filter saturation indicator	■
Illumination	Halogen 3 x 20W
Comfort light	■
Grease filter	Aluminium cassette
Outlet tube diameter	150mm (120mm adaptor supplied)
Price (Ex. VAT)	£966.20

HOODS SPECIFICATIONS

Glass Curved

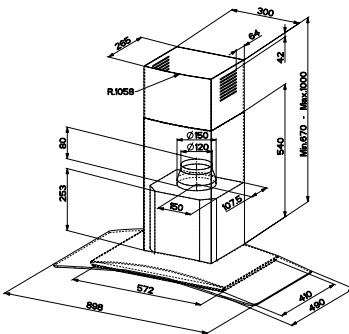


Speed	Flow Rate IEC 61591 [M ³ /H]		Pressure Maximum [Pa]	Power Input [W]	Sound Power IEC 60704-2-13 [dB(A)]
	1	2			
I	240/220	170	70	46	
II	280/260	200	100	52	
III	420/390	220	150	61	

1 (200 m³/h, 5 Pa) Resistance curve according to IEC 61591
2 (200 m³/h, 15 Pa) Resistance curve according to IEC 61591

Model	NEW FGC 604 XS	NEW FGC 904 XS
Hood type	Wall	Wall
Width	60cm	90cm
Control type	Push buttons	Push buttons
Finish	Stainless Steel/Glass	Stainless Steel/Glass
Extraction speed setting	3	3
Automatic cut-off timer		
Continuous 24 hour ventilation		
Digital Display		
Filtering function	■	■
Motor	K40	K40
Filter type	B	B
Perimetric extraction		
Easy fit	■	■
Remote control		
Filter saturation indicator		
Illumination	Halogen 2 x 20W	Halogen 2 x 20W
Comfort light		
Grease filter	Aluminium cassette	Aluminium cassette
Outlet tube diameter	150mm (120mm adaptor supplied)	150mm (120mm adaptor supplied)
Price (Ex. VAT)	£396.42	£401.46

Glass Curved

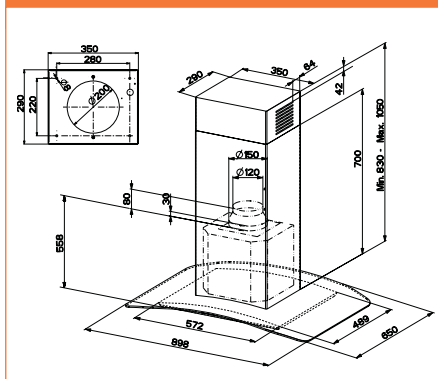


Speed	Flow Rate IEC 61591 [M ³ /H]		Pressure Maximum [Pa]	Power Input [W]	Sound Power IEC 60704-2-13 [dB(A)]
	1	2			
I	260/250	140	90	51	
II	330/310	200	115	55	
III	470/430	260	145	63	
Int	600/520	280	190	67	

1 (200 m³/h, 5 Pa) Resistance curve according to IEC 61591
2 (200 m³/h, 15 Pa) Resistance curve according to IEC 61591

Model	FGC 906 XS
Hood type	Wall
Width	90cm
Control type	Electronic
Finish	Stainless Steel/Glass
Extraction speed setting	3 + int.
Automatic cut-off timer	
Continuous 24 hour ventilation	
Digital Display	■
Filtering function	■
Motor	HIP
Filter type	B
Perimetric extraction	
Easy fit	■
Remote control	
Filter saturation indicator	
Illumination	Halogen 2 x 20W
Comfort light	
Grease filter	Stainless Steel
Outlet tube diameter	150mm (120mm adaptor supplied)
Price (Ex. VAT)	£504.00

Glass Curved Island

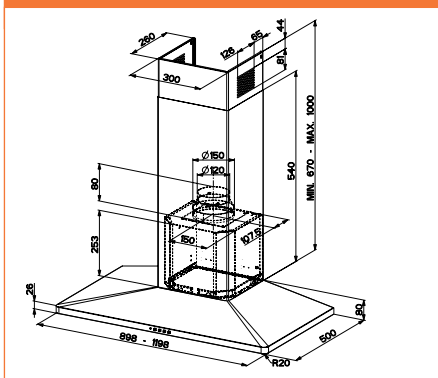


Speed	Flow Rate IEC 61591 [M ³ /H] 1 2	Pressure Maximum [Pa]	Power Input [W]	Sound Power IEC 60704-2-13 [dB(A)]
I	260/250	140	90	51
II	330/310	200	115	55
III	470/430	260	145	63
Int	600/520	280	190	67

1 (200 m³/h, 5 Pa) Resistance curve according to IEC 61591
2 (200 m³/h, 15 Pa) Resistance curve according to IEC 61591

Model	FGC 906 I XS
Hood type	Island
Width	90cm
Control type	Electronic
Finish	Stainless Steel/Glass
Extraction speed setting	3 + int.
Automatic cut-off timer	
Continuous 24 hour ventilation	
Digital Display	■
Filtering function	■
Motor	HIP
Filter type	B
Perimetric extraction	
Easy fit	
Remote control	
Filter saturation indicator	
Illumination	Halogen 4 x 20W
Comfort light	
Grease filter	Stainless Steel
Outlet tube diameter	150mm (120mm adaptor supplied)
Price (Ex. VAT)	£791.88

Design Plus



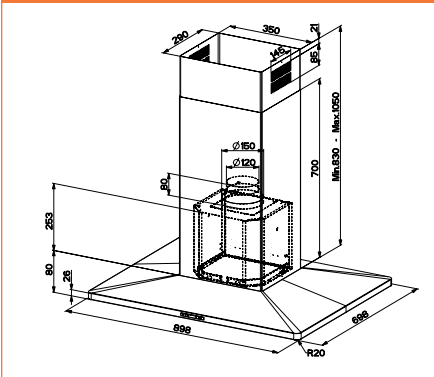
Speed	Flow Rate IEC 61591 [M ³ /H] 1 2	Pressure Maximum [Pa]	Power Input [W]	Sound Power IEC 60704-2-13 [dB(A)]
I	300/270	220	55	50
II	405/370	260	90	59
III	640/575	320	205	68

1 (200 m³/h, 5 Pa) Resistance curve according to IEC 61591
2 (200 m³/h, 15 Pa) Resistance curve according to IEC 61591

Model	FDP 904 XS	NEW FDP 12004 XS
Hood type	Wall	Wall
Width	90cm	120cm
Control type	Push buttons	Push buttons
Finish	Stainless Steel	Stainless Steel
Extraction speed setting	3	3
Automatic cut-off timer		
Continuous 24 hour ventilation		
Digital Display		
Filtering function	■	■
Motor	HIP	HIP
Filter type	B	B
Perimetric extraction		
Easy fit	■	■
Remote control		
Filter saturation indicator		
Illumination	Halogen 3 x 20W	Halogen 3 x 20W
Comfort light		
Grease filter	Stainless Steel	Stainless Steel
Outlet tube diameter	150mm (120mm adaptor supplied)	150mm (120mm adaptor supplied)
Price (Ex. VAT)	£432.40	£501.74

HOODS SPECIFICATIONS

Design Plus Island

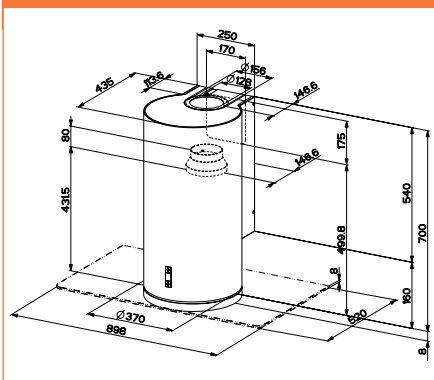


Speed	Flow Rate	Pressure Maximum [Pa]	Power Input [W]	Sound Power IEC 60704-2-13 [dB(A)]
	IEC 61591 [M ³ /H] 1 2			
I	260/250	140	90	51
II	330/310	200	115	55
III	470/430	260	145	63
Int	600/520	280	190	67

1 (200 m³/h, 5 Pa) Resistance curve according to IEC 61591
2 (200 m³/h, 15 Pa) Resistance curve according to IEC 61591

Model	NEW FDP 906 I XS
Hood type	Island
Width	90cm
Control type	Electronic
Finish	Stainless Steel
Extraction speed setting	3 + int.
Automatic cut-off timer	■
Continuous 24 hour ventilation	
Digital Display	■
Filtering function	■
Motor	HIP
Filter type	B
Perimetric extraction	
Easy fit	■
Remote control	Optional
Filter saturation indicator	■
Illumination	Halogen 3 x 20W
Comfort light	
Grease filter	Stainless Steel
Outlet tube diameter	150mm (120mm adaptor supplied)
Price (Ex. VAT)	£817.02

Tube Wall



Speed	Flow Rate	Pressure Maximum [Pa]	Power Input [W]	Sound Power IEC 60704-2-13 [dB(A)]
	IEC 61591 [M ³ /H] 1 2			
I	260/250	140	90	51
II	330/310	200	115	55
III	470/430	260	145	62
Int	580/500	280	190	66

1 (200 m³/h, 5 Pa) Resistance curve according to IEC 61591
2 (200 m³/h, 15 Pa) Resistance curve according to IEC 61591

Model	FTU 3807 W XS 70 NEW UPDATED HEIGHT MODEL
Hood type	Wall
Width	Diam. 37cm
Control type	Electronic
Finish	Stainless Steel
Extraction speed setting	3 + int.
Automatic cut-off timer	■
Continuous 24 hour ventilation	■
Digital Display	■
Filtering function	■
Motor	HIP
Filter type	B
Perimetric extraction	■
Easy fit	
Remote control	Optional
Filter saturation indicator	■
Illumination	Halogen 2 x 20W
Comfort light	■
Grease filter	Aluminium cassette
Outlet tube diameter	150mm (120mm adaptor supplied)
Price (Ex. VAT)	£616.26 Glass Kit £206.65

